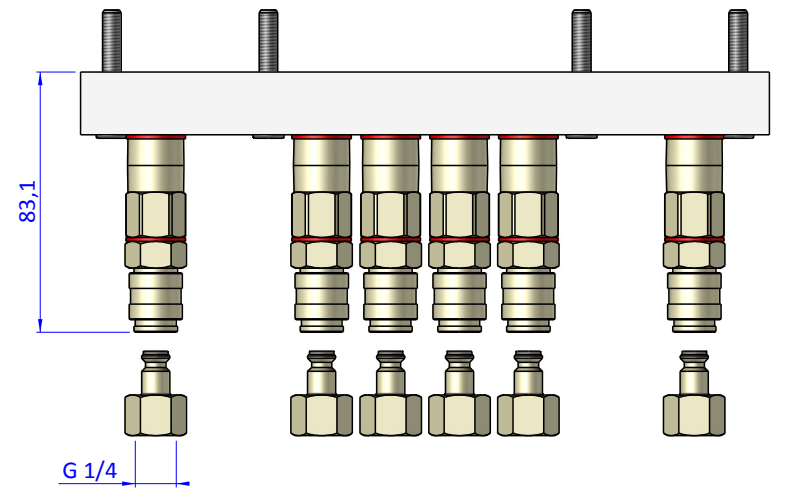
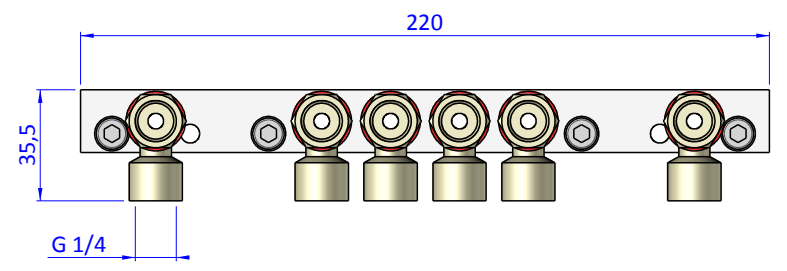
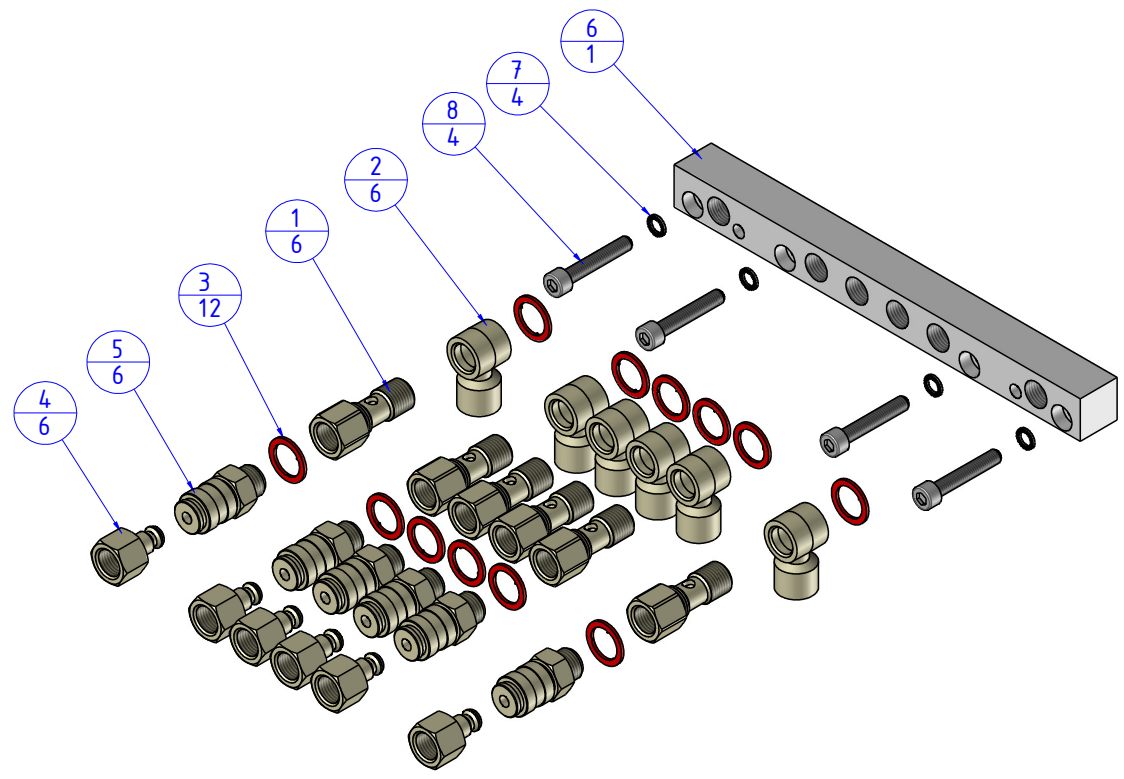



THE PROPERTY OF THE DRAWING IS ESTABLISHED BY LAW. IT IS FORBIDDEN TO PRODUCE OR SHOW IT TO THIRD PARTY, WITHOUT A WRITTEN AGREEMENT.

Item	Name	Qty.
1	CA.01.08.006	6
2	CA.01.08.007	6
3	CA.08.09.14	12
4	CA.12.06.006	6
5	CA.12.06.007	6
6	LAL.3.6	1
7	R.6.SCH	4
8	V.TCE6x35	4



Format A3
UNI 936-76

 FPS SERVICES AUTOMATION		DESIGNED FROM	REVIEW
		FPS Automation	A
GENERAL TOLERANCE	DESCRIPTION	DATE	WEIGHT
UNI - ISO 2768		25/07/2019	1,162kg
CLASSE f		CODE	
CALAL.3.6		CA.LAL.3.6	